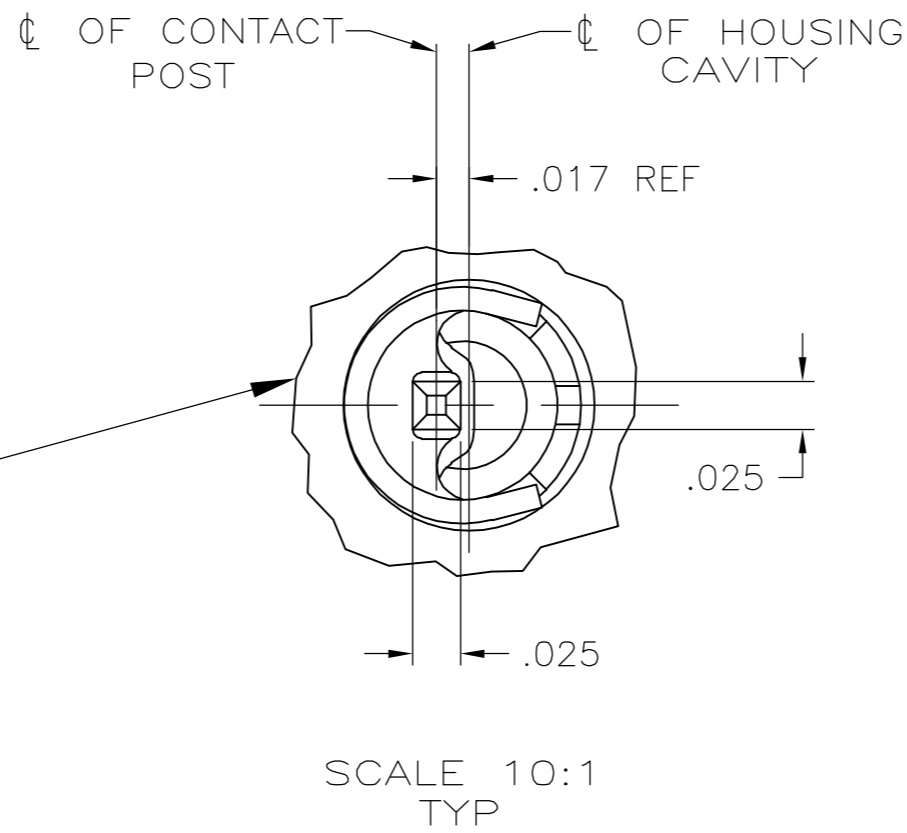
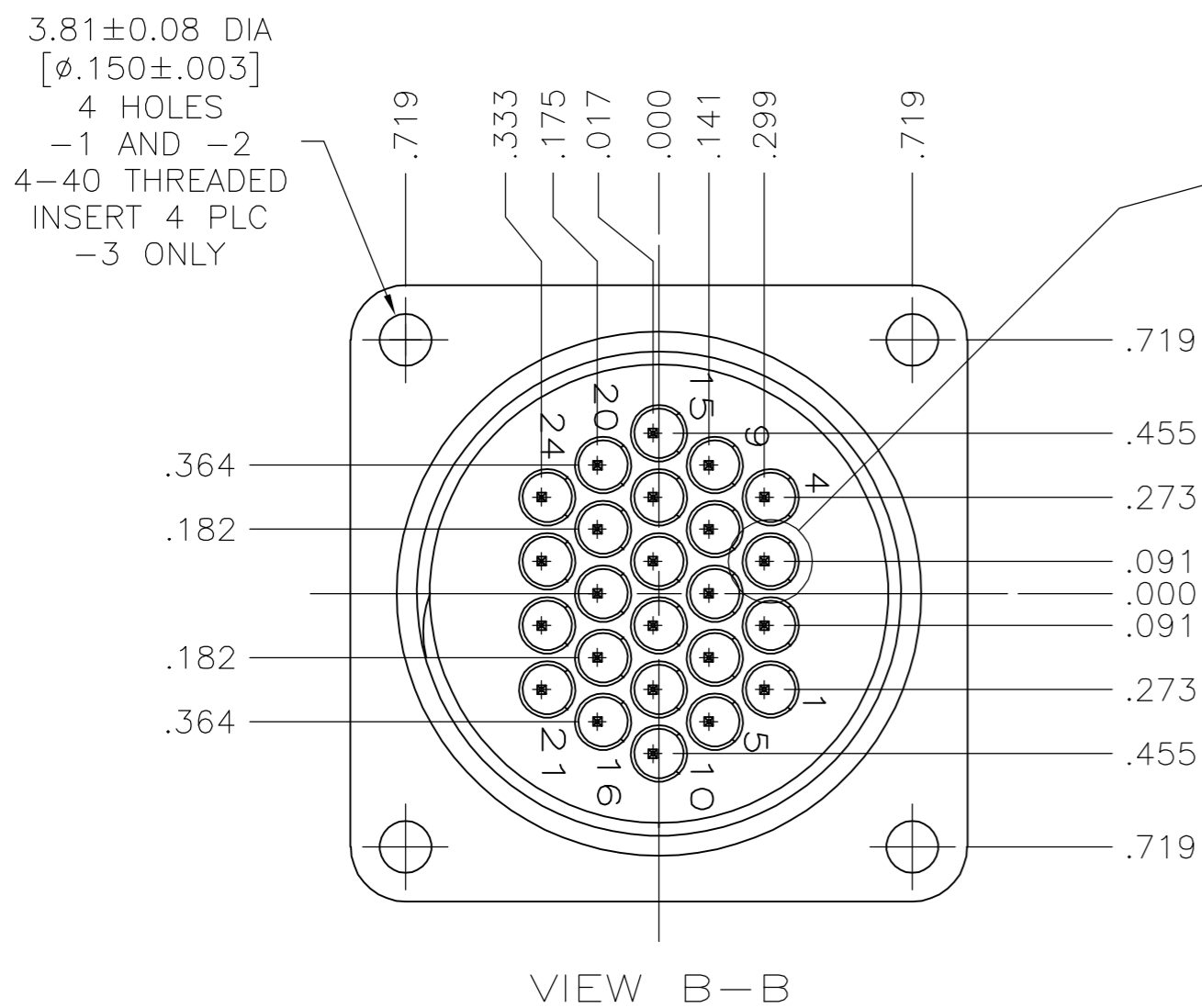
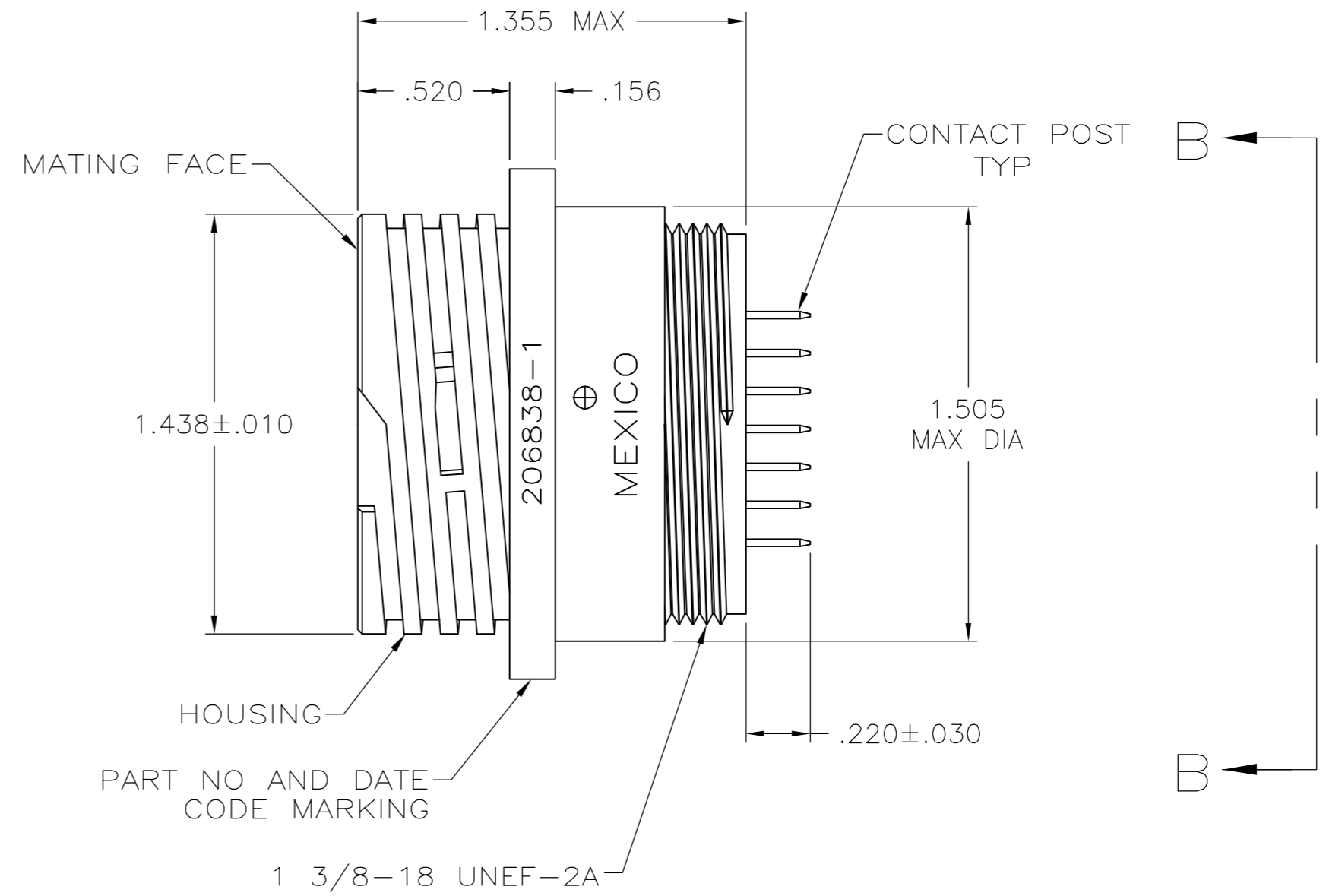
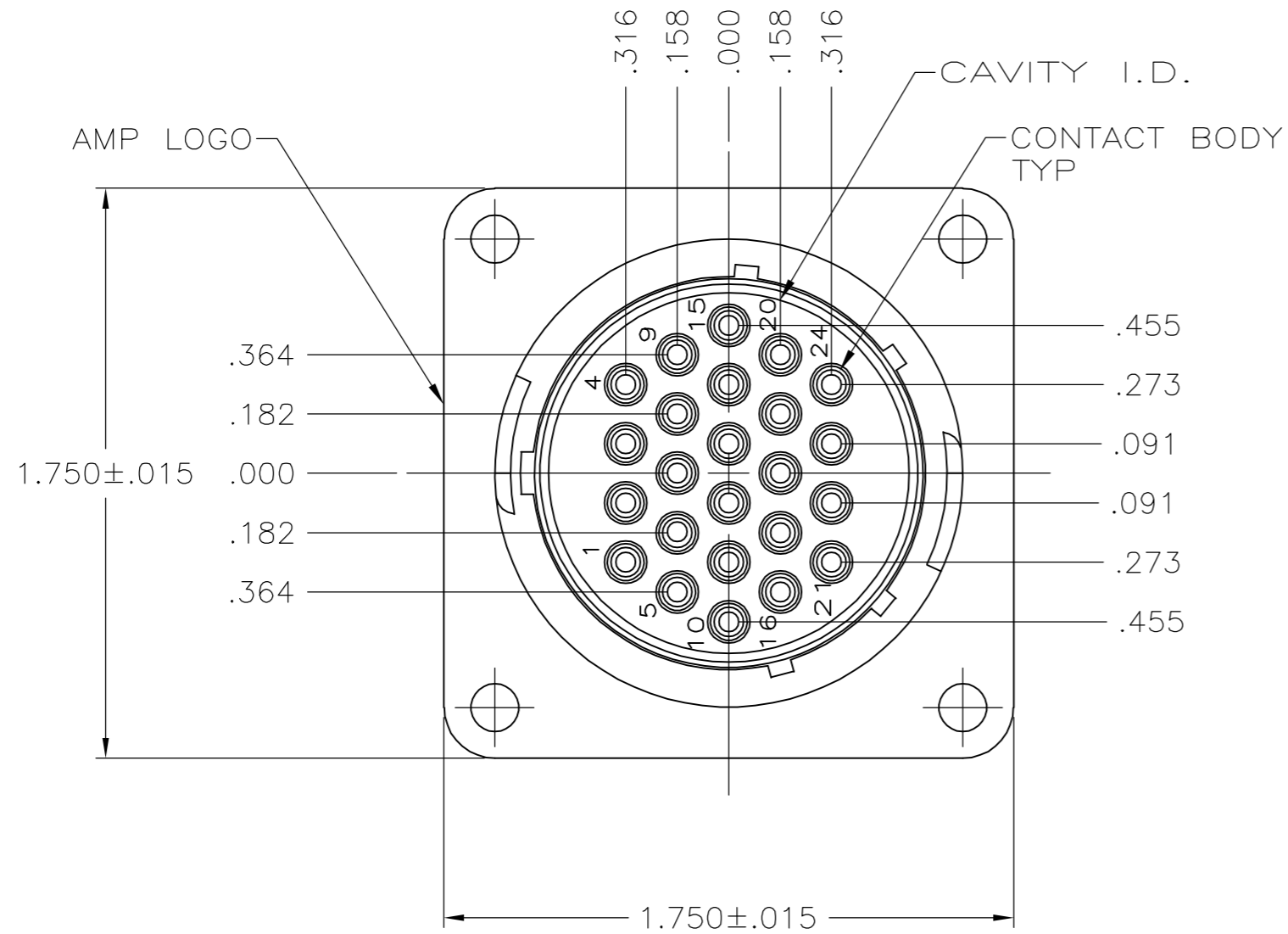


THIS DRAWING IS UNPUBLISHED. RELEASED FOR PUBLICATION  
 © COPYRIGHT BY TYCO ELECTRONICS CORPORATION. ALL RIGHTS RESERVED.

LOC		DIST		REVISIONS			
P	LTR	DESCRIPTION	DATE	DWN	APVD		
FT	0						
	D	REVISED PER ECO-07-003856	2/19/07	SS	SH		



NOTES:

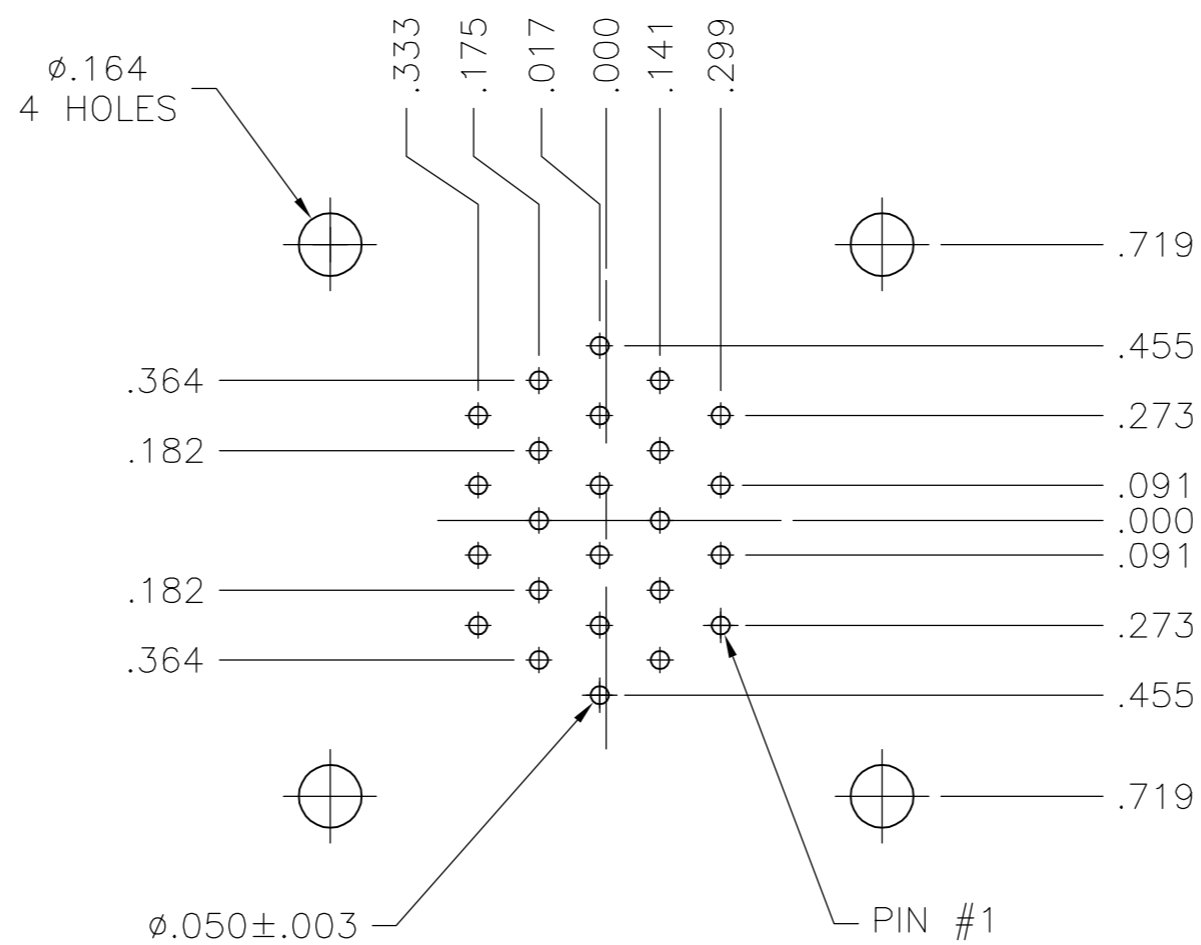
- 1 NYLON, UL 94V-0 RATED, BLACK.
- 2 STAINLESS STEEL.
- 3 BRASS.
- 4 CONTACT BODY: .000030 MIN GOLD FOR A LENGTH OF .200 MIN FROM MATING END. GOLD FLASH ON CONTACT
- 5 CONTACT POST: .000100 MIN TIN-LEAD OVER .000050 MIN NICKEL.
- 6 CONTACT POST: .000100 MIN TIN OVER .000050 MIN NICKEL.
- 7. RECOMMENDED PC BOARD HOLE SIZE FOR CONTACT POST = .050±.003 DIA.

YES	5	213780-3
NO	6	213780-2
NO	5	213780-1
THREADED INSERTS	POST FINISH	PART NUMBER

THIS DRAWING IS A CONTROLLED DOCUMENT.		DWN	W.LENKER	08/20/93	Tyco Electronics Corporation Harrisburg, PA 17105-3608		
DIMENSIONS: INCHES		CHK	R.STONE	08/24/93			
TOLERANCES UNLESS OTHERWISE SPECIFIED:		APVD	-	-	NAME		
0 PLC	± -	PRODUCT SPEC		108-10024			
1 PLC	± -	APPLICATION SPEC		114-10038			
2 PLC	± 0.13 [.005]	WEIGHT		-			
3 PLC	± -	MATERIAL		HOUSING: 1 HOUSING: SPRING: 2 CONTACT BODY & POST: 3			
4 PLC	± -	CUSTOMER DRAWING		SCALE 2:1 SHEET 1 of 2 REV D			
ANGLES	± -	SIZE		A2		CAGE CODE 00779	
FINISH	-	DRAWING NO		C=213780		RESTRICTED TO	

THIS DRAWING IS UNPUBLISHED. RELEASED FOR PUBLICATION  
 © COPYRIGHT BY TYCO ELECTRONICS CORPORATION. ALL RIGHTS RESERVED.

LOC	DIST	REVISIONS					
FT	0	P	LTR	DESCRIPTION	DATE	DWN	APVD
		-	-	SEE SHEET 1	-	-	-



RECOMMENDED P.C. BOARD LAYOUT  
 BOTTOM SIDE

THIS DRAWING IS A CONTROLLED DOCUMENT.		DWN W.LENKER 08/20/93	Tyco Electronics Corporation Harrisburg, PA 17105-3608	
DIMENSIONS: INCHES		CHK R.STONE 08/24/93		
		TOLERANCES UNLESS OTHERWISE SPECIFIED: 0 PLC ± - 1 PLC ± - 2 PLC ± 0.13 [.005] 3 PLC ± - 4 PLC ± - ANGLES ± - FINISH -		APVD - NAME - PRODUCT SPEC 108-10024 APPLICATION SPEC 114-10038
MATERIAL HOUSING: CONTACT SPRING: CONTACT BODY & POST:		WEIGHT - CUSTOMER DRAWING	SIZE A2 CAGE CODE 00779 DRAWING NO C=213780	RESTRICTED TO - SCALE 2:1 SHEET 2 of 2 REV D